

MetalMacchine



MetalMacchine S.r.l.

Via Don Minzoni,46 -40057 Cadriano di Granarolo Emilia (BO)

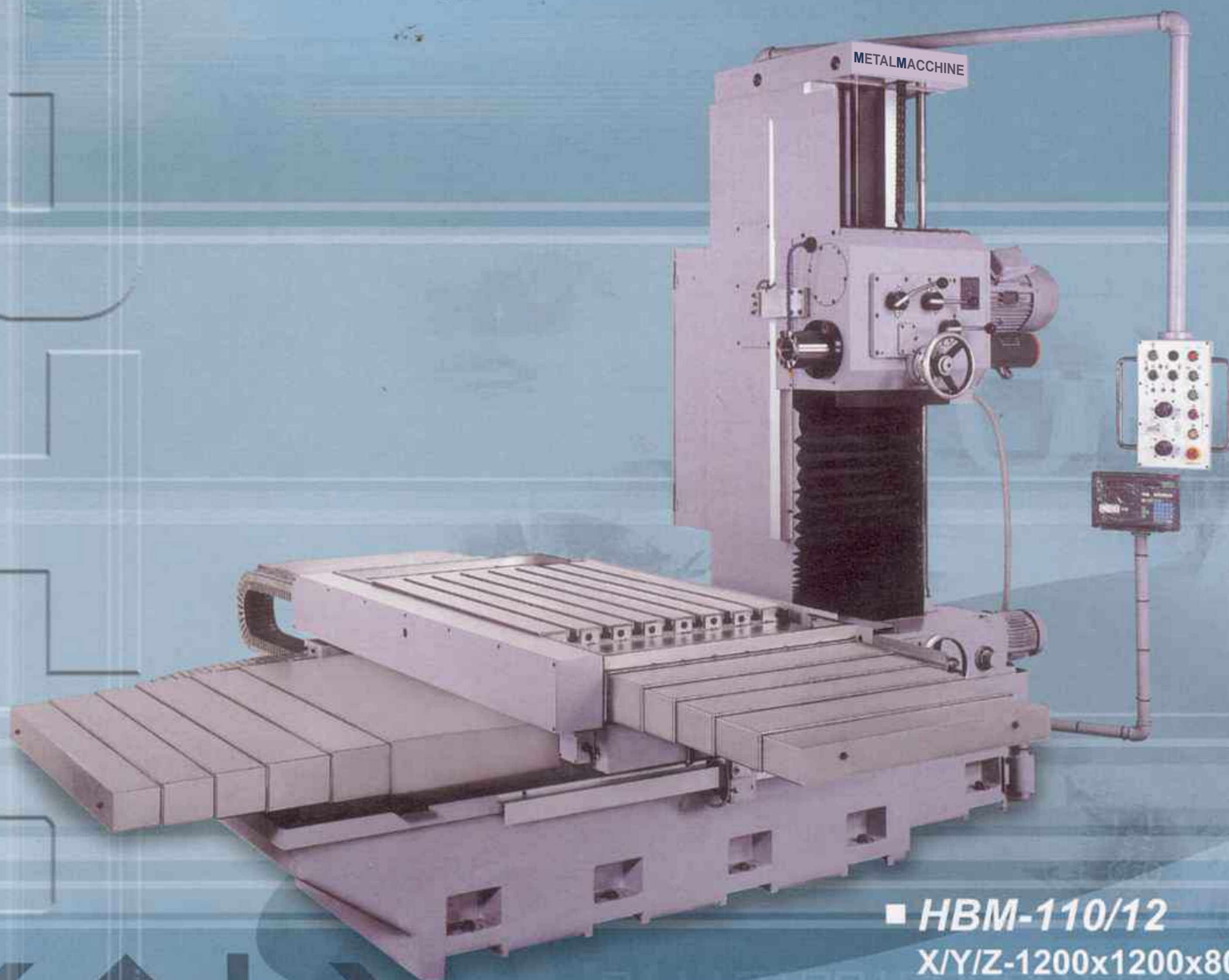
Amministrazione Tel. 0376.556505 ; Fax. 0376.599469

Produzione e Assistenza Tecnica - Tel. 051.0454460 ; Fax. 051.0454459

Commerciale Cell.+393388845445 C.F./P.IVA 02902721204

[http: www.metalmacchine.it](http://www.metalmacchine.it) commerciale@metalmacchine.it

ALESATRICE mod. HBM-110/18



- **HBM-110/12**
X/Y/Z-1200x1200x800
- **HBM-110/14**
X/Y/Z-1400x1200x1100
- **HBM-110/18**
X/Y/Z-1800x1400x1200

ALESATRICE mod. HBM-110/18

Feature

Box type column, bed and saddle features outstanding stability in heavy duty cutting. All slide ways are hardened, precision ground and scraped for lasting precision.

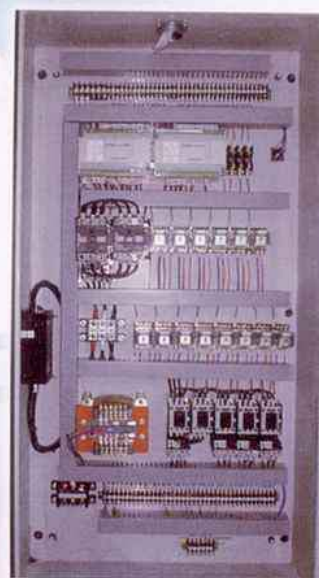
- The X and Z-axes are equipped with ballscrew ensure the table movement smoothly.
- Headstock, table and saddle equipped with hydraulic clamber to ensure machining accuracy.
- Spindle headstock balance is accurately taken and a counter weight permits the head to travel smoothly and to retain its accuracy stability.
- All casting are made of high quality cast iron and are stress relieved.



■ **Index Table**



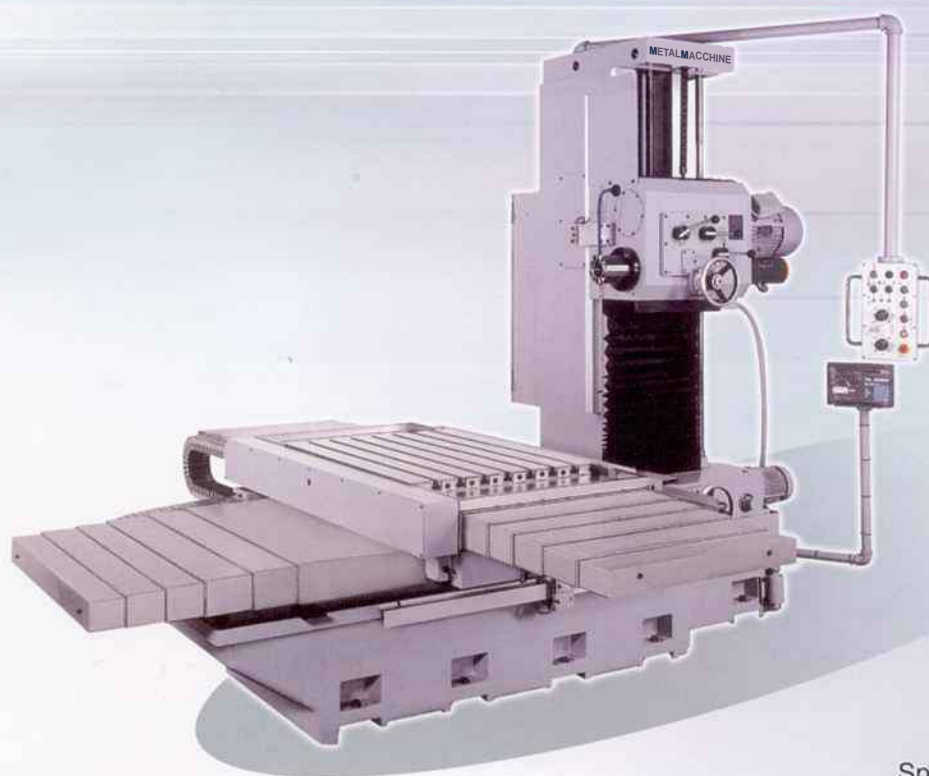
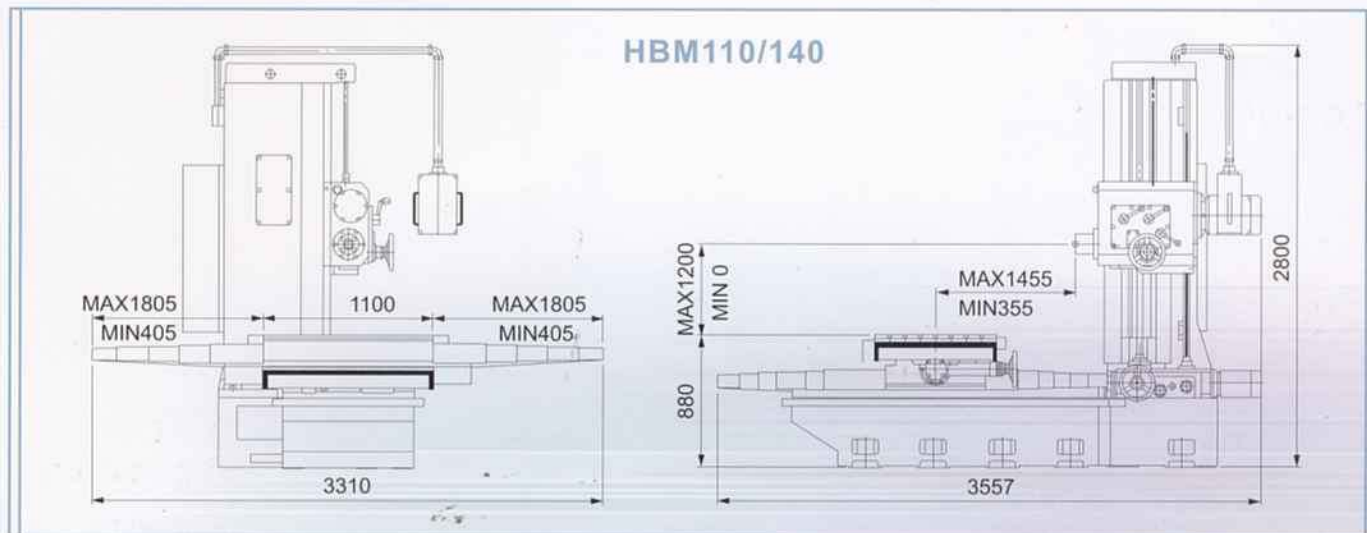
■ **Digital Read Out**



■ **Electrical Cabinet**

ALESATRICE mod. HBM-110/18

Dimensions



Power on/off button

Coolant on/off switch

3 Axis hydraulic clamber switch

Joystick for Z-axis feed and rapid

Joystick for X&Y-axis feed and rapid

Spindle cw/ccw switch

Feeding mode switch

Threading function switch

Spindle start button

Spindle stop button

Spindle inching button

Emergency push button

