

24 VOLTS, ACCEPTED 75 WATTS BULB. FURNISHED 70 WATTS



▲ 8000-0810



▲ 8000-0813



▲ 8000-0816

CODE No.	Mfg. No.	arm	Transformer	Volts	Light Base	Mounting Type	Lamp
8000-0810	HT-L81	420 x 420 mm	Opt.	12 / 24 V	Universal	G-20 / G-21	24V / 70W
8000-0811	HT-M81	220 x 185 mm	Opt.	12 / 24 V	Universal	G-20 / G-21	24V / 70W
8000-0812	HT-S81	short	Opt.	12 / 24 V	Universal	G-20 / G-21	24V / 70W
8000-0813	HT-L71	420 x 420 mm	Opt.	12 / 24 V	Universal	G-20 / G-21	24V / 70W
8000-0814	HTT-L71	420 x 420 mm	Built-in	110 / 220 V	Universal	G-20 / G-21	12V / 50W
8000-0815	HTT-M71	220 x 220 mm	Built-in	110 / 220 V	Universal	G-20 / G-21	12V / 50W
8000-0816	HTT-S71	short	Built-in	110 / 220 V	Universal	G-20 / G-21	12V / 50W

12 VOLTS, 20 AND 50 WATTS BULB, FURNISHED WITH 20 WATTS.



▲ 8000-0075



▲ 8000-0077



▲ 8000-0080

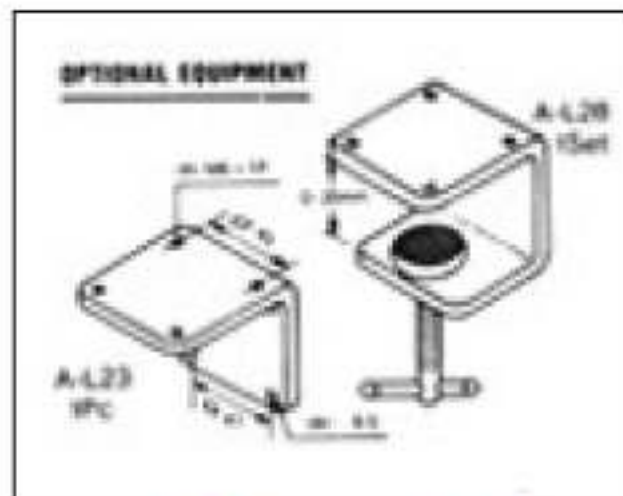
CODE No.	Mfg. No.	arm	Transformer	Volts	Light Base	Mounting Type	Lamp
8000-0075	A-L301A	410 x 400 mm	Opt.	12 / 24 V	Universal	L23 / L28	20 Watts / Opt-50W
8000-0076	A-L301B	240 x 185 mm	Opt.	12 / 24 V	Universal	L23 / L28	20 Watts / Opt-50W
8000-0077	A-L301C	short	Opt.	12 / 24 V	Universal	L23 / L28	20 Watts / Opt-50W
8000-0078	A-L301AT	410 x 400 mm	Opt.	110 / 220 V	Universal	L23 / L28	20 Watts / Opt-50W
8000-0079	A-L301BT	240 x 185 mm	Opt.	110 / 220 V	Universal	L23 / L28	20 Watts / Opt-50W
8000-0080	A-L301FT	410 x 400 mm	Built-in	110 / 220 V	Universal	L219 / L213	20 Watts / Opt-50W
8000-0081	A-L301F	240 x 185 mm	Built-in	12 / 24 V	Universal	L219 / L213	20 Watts / Opt-50W

12 VOLTS- WITH FLEXIBLE GOOSE NECK



▲ 8000-0063

▲ 8000-0064



▲ A-L23

▲ A-L28



▲ L-219

▲ L-213

CODE No.	Mfg. No.	arm	Transformer	Volts	Mounting Type	Lamp
8000-0063	A-L201W	Goose neck	Opt.	12 / 24 V	Magnetic-Base	20 Watts / Opt. 50W
8000-0064	A-L201WT	Goose neck	Built-in	110 / 220 V	Magnetic-base	20 Watts / Opt. 50W

12 VOLTS – ACCEPT – 20 AND 50 WATTS BULBS, FURNISHED WITH 20 WATTS BULB



▲ 8000-0301



▲ 8000-0303

CODE No.	Mfg. No.	arm	Transformer	Volts	Light base	Mounting Type	Lamp
8000-0301	A-W301A	410 x 410 mm	Opt.	12V	Universal	L23 / L28	20 Watts / Opt. 50W
8000-0302	A-W301B	240 x 185 mm	Opt.	12V	Universal	L23 / L28	20 Watts / Opt. 50W
8000-0303	A-W301C		Opt.	12V	Universal	L23 / L28	20 Watts / Opt. 50W
8000-0304	A-W301AT	410 x 410 mm	Built-in	110-240V	Universal	L23 / L28	20 Watts / Opt. 50W
8000-0305	A-W301BT	240 x 185 mm	Built-in	110-240V	Universal	L23 / L28	20 Watts / Opt. 50W

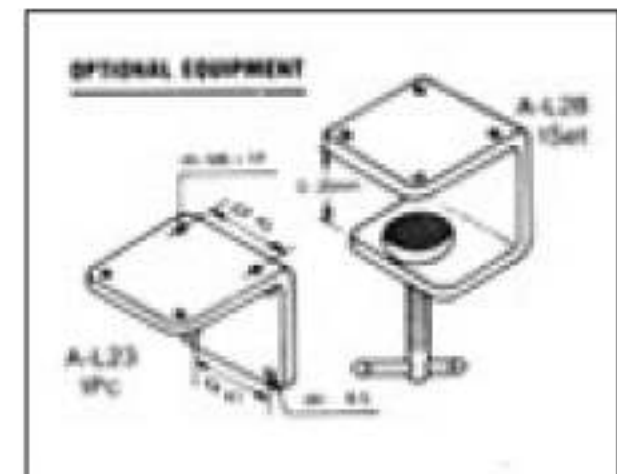
12 VOLTS, ACCEPT – 50W,75W & 100W BULBS, LAMP FURNISHED WITH 55 WATTS BULBS.



▲ 8000-0100

CODE No.	Mfg. No.	arm	Transformer	Volts	Mounting Type	Lamp
8000-0100	101 Series	410 x 400 mm		12 V	L23 / L28	50 / 55 / 70 / 75 Watts
8000-0101	101 Series	240 x 185 mm		12 V	L23 / L28	50 / 55 / 70 / 75 Watts
8000-0102	101 Series	Short		12 V	Magnetic base	50 / 55 / 70 / 75 Watts
8000-0103	103 Series	410 x 400 mm	Built-in	110 V - 240 V	L23 / L28	50 / 55 / 70 / 75 Watts
8000-0104	103 Series	240 x 185 mm	Built-in	110 V - 240 V	L23 / L28	50 / 55 / 70 / 75 Watts

COLOR WORKING LAMPS



FLUORESCENT WORKING LAMP – LAMP DIA. 70MM DIA. WITH 1.8 METER ELECTRICAL CORD. DB – WITH PLUG.



▲ 8000-5101/5150/5200



▲ 8000-5102/5151/5201

CODE No.	Mfg. No.	Lamp
8000-5101	A-W510D	Lamp - 10 Watts
8000-5150	A-W515D	Lamp - 15 Watts
8000-5200	A-W520D	Lamp - 20 Watts
8000-5102	A-W510DB	Lamp - 10 Watts
8000-5151	A-W515DB	Lamp - 15 Watts
8000-5201	A-W520DB	Lamp - 20 Watts