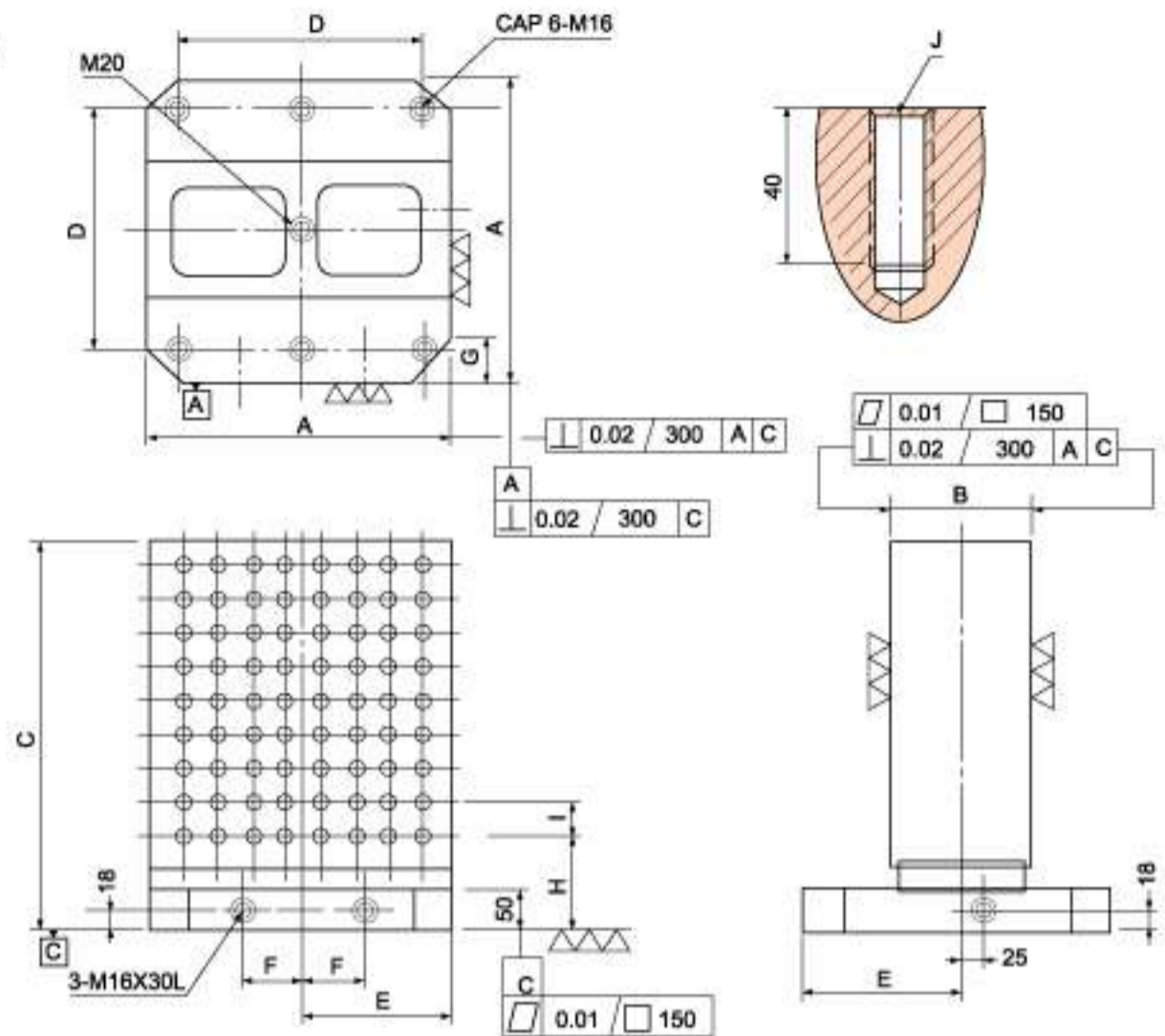


MC TOOLING BLOCKS (2 FACE TYPE)

FEATURES:

1. Material: FCD-60 Ductile iron (High tensile casting)
2. Heat-treatment: Annealing
3. One piece casting of bed and column.

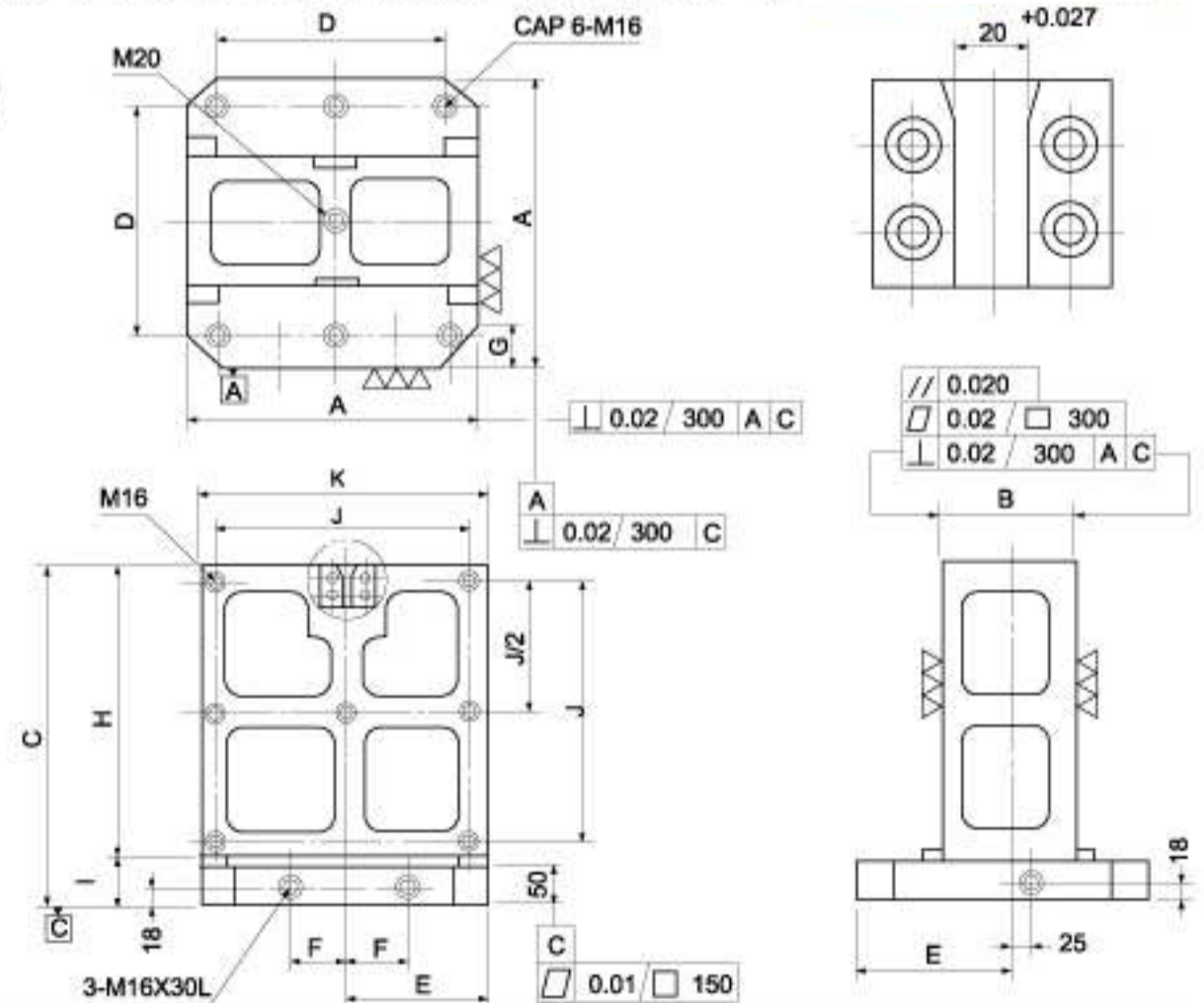


CODE No.	MODEL	A	B	C	D	E	F	G	H	I	J	N.W.
0788-7002	SJB-400×150×500U	400	150	500	320	200	55	50	125	50	M12-7x8x2	206 kg
0788-7004	SJB-500×200×600U	500	200	600	400	250	75	60	125	50	M12-9x10x2	320 kg
0788-7006	SJB-630×250×700U	630	250	700	500	315	100	65	125	50	M12-11x12x2	568 kg
0788-7008	SJB-800×300×800U	800	300	800	640	400	135	80	125	50	M12-15x14x2	762 kg
0788-7202	SJB-400×150×500V	400	150	500	320	200	55	50	125	50	M16-7x8x2	204 kg
0788-7204	SJB-500×200×600V	500	200	600	400	250	75	60	125	50	M16-9x10x2	315 kg
0788-7206	SJB-630×250×700V	630	250	700	500	315	100	65	125	50	M16-11x12x2	562 kg
0788-7208	SJB-800×300×800V	800	300	800	640	400	135	80	125	50	M16-15x14x2	755 kg

MC TOOLING BLOCKS (2 FACE FRAME BASE TYPE)

FEATURES:

1. Material: FCD-60 Ductile iron (High tensile casting)
2. Heat-treatment: Annealing
3. One piece casting of bed and column.

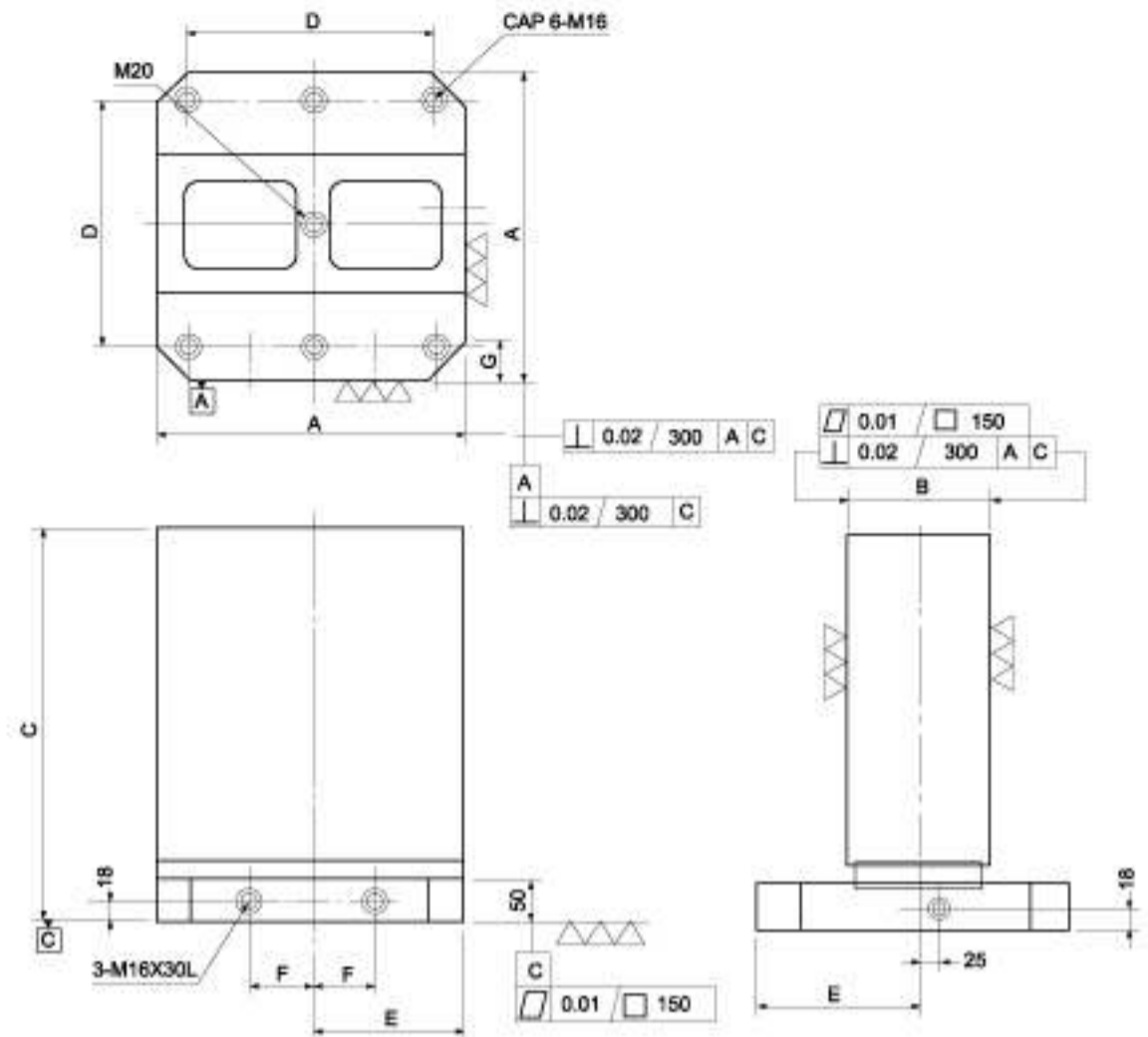


CODE No.	MODEL	A	B	C	D	E	F	G	H	I	J	K	N.W.
0788-7402	SJB-400×100×470W	400	100	470	320	200	55	50	400	70	350	400	98 kg
0788-7404	SJB-500×150×570W	500	150	570	400	250	75	60	500	70	450	500	215 kg
0788-7406	SJB-630×200×700W	630	200	700	500	315	100	65	630	70	580	630	270 kg
0788-7408	SJB-630×250×700W	630	250	700	500	315	100	65	630	70	580	800	450 kg
0788-7410	SJB-800×250×800W	800	250	800	640	400	135	80	800	70	750	800	590 kg

MC TOOLING BLOCKS (2 FACE TYPE)

FEATURES:

1. Material: FCD-60 Ductile iron (High tensile casting)
2. Heat-treatment: Annealing
3. One piece casting of bed and column.

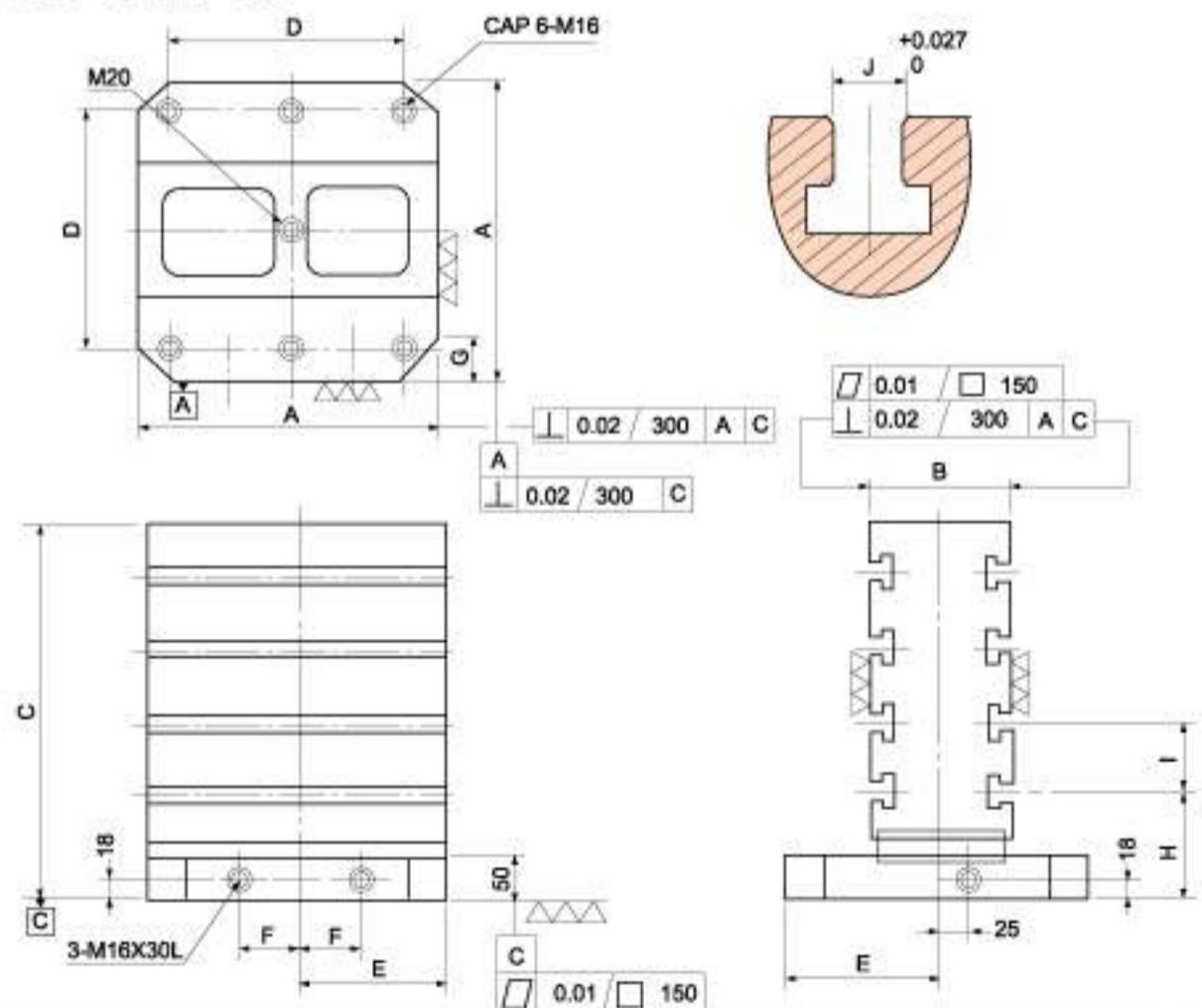


CODE No.	MODEL	A	B	C	D	E	F	G	N.W.
0788-6402	SJB-400×150×500P	400	150	500	320	200	55	50	218 kg
0788-6404	SJB-500×200×600P	500	200	600	400	250	75	60	320 kg
0788-6406	SJB-630×250×700P	630	250	700	500	315	100	65	578 kg
0788-6408	SJB-800×300×800P	800	300	800	640	400	135	80	776 kg

MC TOOLING BLOCKS (4 FACE TYPE)

FEATURES:

1. Material: FCD-60 Ductile iron (High tensile casting)
2. Heat-treatment: Annealing
3. One piece casting of bed and column.

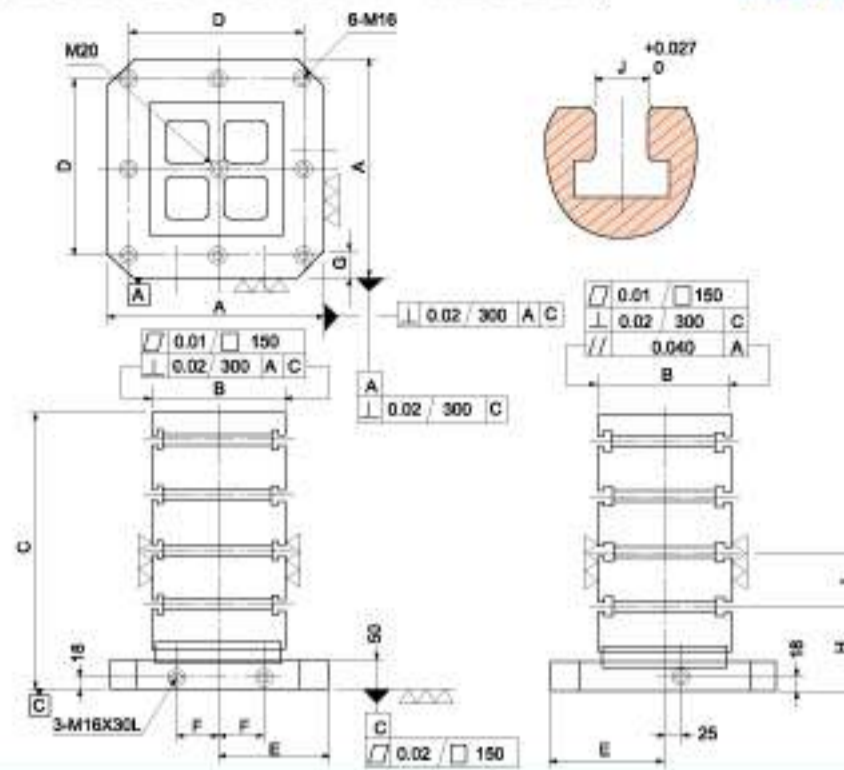


CODE No.	MODEL	A	B	C	D	E	F	G	H	I	J	N.W.
0788-6602	SJB-400×150×500R	400	150	500	320	200	55	50	100	100 x 4	14	204 kg
0788-6604	SJB-500×200×600R	500	200	600	400	250	75	60	100	100 x 5	14	312 kg
0788-6606	SJB-630×250×700R	630	250	700	500	315	100	65	150	125 x 5	14	560 kg
0788-6608	SJB-800×300×800R	800	300	800	640	400	135	80	150	150 x 5	14	752 kg
0788-6802	SJB-400×150×500S	400	150	500	320	200	55	50	100	100 x 4	18	198 kg
0788-6804	SJB-500×200×600S	500	200	600	400	250	75	60	100	100 x 5	18	304 kg
0788-6806	SJB-630×250×700S	630	250	700	500	315	100	65	150	125 x 5	18	550 kg
0788-6808	SJB-800×300×800S	800	300	800	640	400	135	80	150	150 x 5	18	740 kg

MC TOOLING BLOCKS (4 FACE TYPE-T-SLOTS)

FEATURES:

1. Material: FCD-60 Ductile iron (High tensile casting)
2. Heat-treatment- Annealing
3. One piece casting of bed and column.

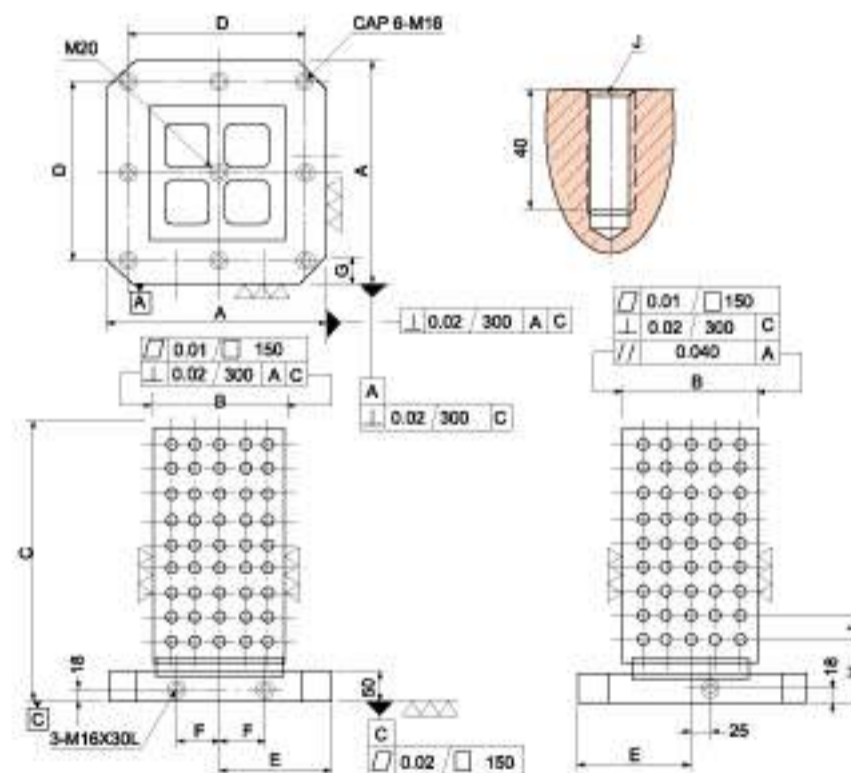


CODE No.	MODEL	A	B	C	D	E	F	G	G	I	J	N.W.
0788-4002	SJB-400×250×500T	400	250	500	320	200	55	50	100	100 x 4	14	177 kg
0788-4004	SJB-500×300×600T	500	300	600	400	250	75	60	100	100 x 5	14	290 kg
0788-4006	SJB-500×350×550T	500	350	550	400	250	75	60	150	100 x 4	14	291 kg
0788-4008	SJB-630×350×700T	630	350	700	500	315	100	65	150	125 x 5	14	428 kg
0788-4010	SJB-630×400×700T	630	400	700	500	315	100	65	150	125 x 5	14	470 kg
0788-4012	SJB-630×500×700T	630	500	700	500	315	100	65	150	125 x 5	14	560 kg
0788-4014	SJB-800×550×850T	800	550	850	640	400	135	80	150	150 x 5	14	770 kg
0788-4202	SJB-400×250×500L	400	250	500	320	200	55	50	100	100 x 4	18	174 kg
0788-4204	SJB-500×300×600L	500	300	600	400	250	75	60	100	100 x 5	18	287 kg
0788-4206	SJB-500×350×550L	500	350	550	400	250	75	60	150	100 x 4	18	286 kg
0788-4208	SJB-630×350×700L	630	350	700	500	315	100	65	150	125 x 5	18	423 kg
0788-4210	SJB-630×400×700L	630	400	700	500	315	100	65	150	125 x 5	18	465 kg
0788-4212	SJB-630×500×700L	630	500	700	500	315	100	65	150	125 x 5	18	552 kg
0788-4214	SJB-800×550×850L	800	550	850	640	400	135	80	150	150 x 5	18	764 kg

MC TOOLING BLOCKS (4 FACE TYPE-DRILLING & TAPPING)

FEATURES:

1. Material: FCD-60 Ductile iron (High tensile casting)
2. Heat-treatment- Annealing
3. One piece casting of bed and column.

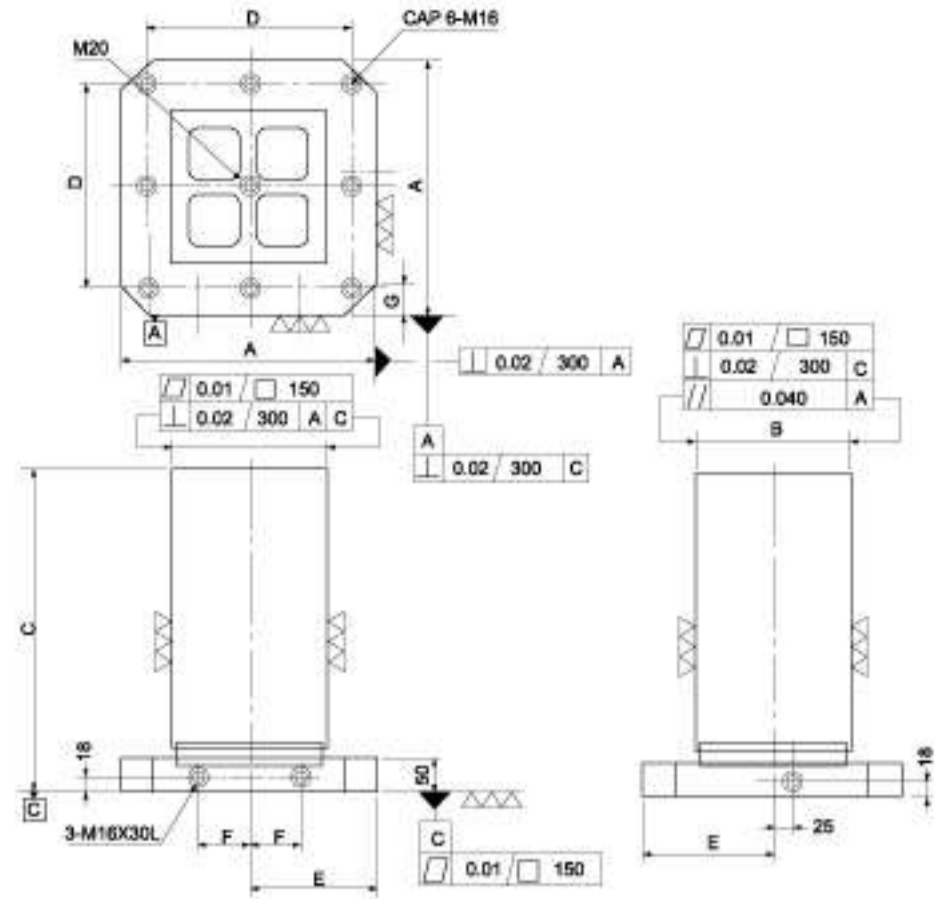


CODE No.	MODEL	A	B	C	D	E	F	G	H	I	J	N.W.
0788-6002	SJB-400×250×500M	400	250	500	320	200	55	50	125	50	M12-4 x 8 x 4	193 kg
0788-6004	SJB-500×300×600M	500	300	600	400	250	75	60	125	50	M12-5 x 10 x 4	294 kg
0788-6006	SJB-500×350×550M	500	350	550	400	250	75	60	125	50	M12-6 x 9 x 4	312 kg
0788-6008	SJB-630×350×700M	630	350	700	500	315	100	65	125	50	M12-6 x 12 x 4	438 kg
0788-6010	SJB-630×400×700M	630	400	700	500	315	100	65	125	50	M12-7 x 12 x 4	460 kg
0788-6012	SJB-630×500×700M	630	500	700	500	315	100	65	125	50	M12-9 x 12 x 4	570 kg
0788-6014	SJB-800×550×850M	800	550	850	640	400	135	80	125	50	M12-10 x 15 x 4	780 kg
0788-6202	SJB-400×250×500H	400	250	500	320	200	55	50	125	50	M16-4 x 8 x 4	189 kg
0788-6204	SJB-500×300×600H	500	300	600	400	250	75	60	125	50	M16-5 x 10 x 4	290 kg
0788-6206	SJB-500×350×550H	500	350	550	400	250	75	60	125	50	M16-6 x 9 x 4	308 kg
0788-6208	SJB-630×350×700H	630	350	700	500	315	100	65	125	50	M16-6 x 12 x 4	433 kg
0788-6210	SJB-630×400×700H	630	400	700	500	315	100	65	125	50	M16-7 x 12 x 4	455 kg
0788-6212	SJB-630×500×700H	630	500	700	500	315	100	65	125	50	M16-9 x 12 x 4	565 kg
0788-6214	SJB-800×550×850H	800	550	850	640	400	135	80	125	50	M16-10 x 15 x 4	776 kg

MC TOOLING BLOCKS (4 FACE TYPE)

FEATURES:

1. Material: FCD-60 Ductile iron (High tensile casting)
2. Heat-treatment: Annealing
3. One piece casting of bed and column.

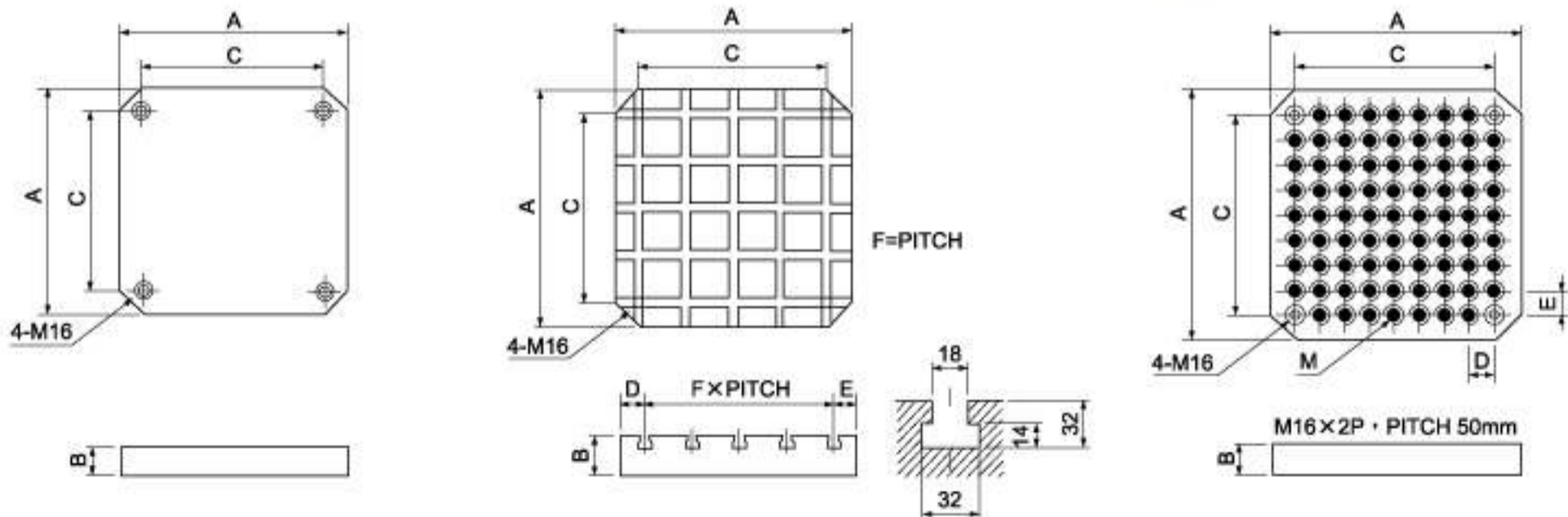


CODE No.	MODEL	A	B	C	D	E	F	G	N.W.
0788-2002	SJB-400 × 250 × 500B	400	250	500	320	200	55	50	195 kg
0788-2004	SJB-500 × 300 × 600B	500	300	600	400	250	75	60	315 kg
0788-2006	SJB-500 × 350 × 550B	500	350	550	400	250	75	60	317 kg
0788-2008	SJB-630 × 350 × 700B	630	350	700	500	315	100	65	453 kg
0788-2010	SJB-630 × 400 × 700B	630	400	700	500	315	100	65	500 kg
0788-2012	SJB-630 × 500 × 700B	630	500	700	500	315	100	65	595 kg
0788-2014	SJB-800 × 550 × 850B	800	550	850	640	400	135	80	811 kg

MC SUB TABLES

FEATURES:

1. Both ground & paralleled within 0.010/500mm
 2. Material: FCD-60 Ductile iron (High tensile casting)
 3. Annealing.
- * Please fill D.E.F.K.PITCH dimension yourself.

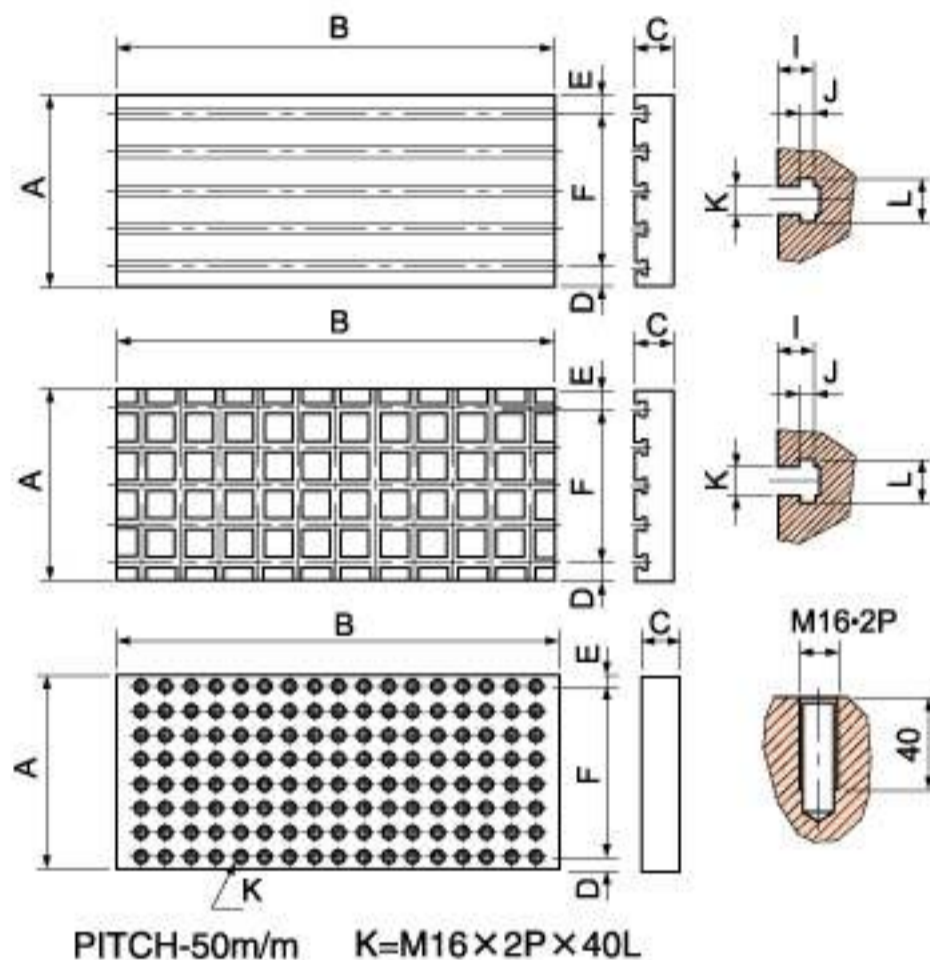


CODE No.	MODEL	A	B	C	D	F	K	CODE No.	MODEL	A	B	C	D	E	F	K
0787-6002	SP-300 × 300 × 40	300	40	240				0788-0002	SM-300 × 300 × 40	300	40	240	50	50		
0787-6004	SP-400 × 400 × 40	400	40	300				0788-0004	SM-400 × 400 × 40	400	40	320	50	50		
0787-6006	SP-500 × 500 × 40	500	40	400				0788-0006	SM-500 × 500 × 40	500	40	400	50	50		
0787-6008	SP-600 × 600 × 45	600	45	500				0788-0008	SM-600 × 600 × 45	600	45	500	50	50		
0787-6010	SP-630 × 630 × 40	630	40	500				0788-0010	SM-630 × 630 × 40	630	40	500	50	50		
0787-8002	SL-400 × 400 × 70	400	70	300	50	100	18	0788-0012	SM-400 × 400 × 70	400	70	320	50	50		
0787-8004	SL-500 × 500 × 70	500	70	400	50	100	18	0788-0014	SM-500 × 500 × 70	500	70	400	50	50		
0787-8006	SL-630 × 630 × 70	630	70	500	65	100	18	0788-0016	SM-630 × 630 × 70	630	70	500	50	50		
0787-8008	SL-800 × 800 × 70	800	70	700	50	100	18	0788-0018	SM-800 × 800 × 70	800	70	700	50	50		

MC SUB TABLES

FEATURES:

1. Both ground & paralleled within 0.010/500mm
 2. Material: FCD-60 Ductile iron (High tensile casting)
 3. Annealing.
- * Please fill D.E.F.K.PITCH dimension yourself.



MODEL

- ▲ST-300×600×70, 500×1000×75, 550×1200×75, 700×1700×80
- ▲ST-350×800×75, 510×850×75, 600×1200×75, 800×2300×85
- ▲ST-400×950×75, 510×1000×75, 600×1500×80, 850×2100×85
- ▲ST-410×900×75, 510×1200×75, 650×1600×80, 850×2300×85
- ▲ST-450×900×75, 510×1300×75, 650×1700×80, 900×2400×85

MODEL

- ▲SC-300×600×70, 500×1000×75, 550×1200×75, 700×1700×80
- ▲SC-350×800×75, 510×850×75, 600×1200×75, 800×2300×85
- ▲SC-400×950×75, 510×1000×75, 600×1500×80, 850×2100×85
- ▲SC-410×900×75, 510×1200×75, 650×1600×80, 850×2300×85
- ▲SC-450×900×75, 510×1300×75, 650×1700×80, 900×2400×85

MODEL

- ▲SH-300×600×70, 500×1000×75, 550×1200×75, 700×1700×80
- ▲SH-350×800×75, 510×850×75, 600×1200×75, 800×2300×85
- ▲SH-400×950×75, 510×1000×75, 600×1500×80, 850×2100×85
- ▲SH-410×900×75, 510×1200×75, 650×1600×80, 850×2300×85
- ▲SH-450×900×75, 510×1300×75, 650×1700×80, 900×2400×85
- ▲SH-340×510×30, 340×660×30, 405×660×35, 405×780×35
- ▲SH-495×720×40, 495×940×40

CODE No.	MODEL	A	B	C	D	E	F	K	CODE No.	MODEL	A	B	C	D	E	F	K
0787-0002	ST-300×600×70	300	600	70					0787-2028	SC-650×1600×80	650	1600	80				
0787-0004	ST-350×800×75	350	800	75					0787-2030	SC-650×1700×80	650	1700	80				
0787-0006	ST-400×950×75	400	950	75					0787-2032	SC-700×1700×80	700	1700	80				
0787-0008	ST-410×900×75	410	900	75					0787-2034	SC-800×2300×85	800	2300	85				
0787-0010	ST-450×900×75	450	900	75					0787-2036	SC-850×2100×85	850	2100	85				
0787-0012	ST-500×1000×75	500	1000	75					0787-2038	SC-850×2300×85	850	2300	85				
0787-0014	ST-510×850×75	510	850	75					0787-2040	SC-900×2400×85	900	2400	85				
0787-0016	ST-510×1000×75	510	1000	75					0787-4002	SH-300×600×70	300	600	70				
0787-0018	ST-510×1200×75	510	1200	75					0787-4004	SH-350×800×75	350	800	75				
0787-0020	ST-510×1300×75	510	1300	75					0787-4006	SH-400×950×75	400	950	75				
0787-0022	ST-550×1200×75	550	1200	75					0787-4008	SH-410×900×75	410	900	75				
0787-0024	ST-600×1200×75	600	1200	75					0787-4010	SH-450×900×75	450	900	75				
0787-0026	ST-600×1500×80	600	1500	80					0787-4012	SH-500×1000×75	500	1000	75				
0787-0028	ST-650×1600×80	650	1600	80					0787-4014	SH-510×850×75	510	850	75				
0787-0030	ST-650×1700×80	650	1700	80					0787-4016	SH-510×1000×75	510	1000	75				
0787-0032	ST-700×1700×80	700	1700	80					0787-4018	SH-510×1200×75	510	1200	75				
0787-0034	ST-800×2300×85	800	2300	85					0787-4020	SH-510×1300×75	510	1300	75				
0787-0036	ST-850×2100×85	850	2100	85					0787-4022	SH-550×1200×75	550	1200	75				
0787-0038	ST-850×2300×85	850	2300	85					0787-4024	SH-600×1200×75	600	1200	75				
0787-0040	ST-900×2400×85	900	2400	85					0787-4026	SH-600×1500×80	600	1500	80				
0787-2002	SC-300×600×70	300	600	70					0787-4028	SH-650×1600×80	650	1600	80				
0787-2004	SC-350×800×75	350	800	75					0787-4030	SH-650×1700×80	650	1700	80				
0787-2006	SC-400×950×75	400	950	75					0787-4032	SH-700×1700×80	700	1700	80				
0787-2008	SC-410×900×75	410	900	75					0787-4034	SH-800×2300×85	800	2300	85				
0787-2010	SC-450×900×75	450	900	75					0787-4036	SH-850×2100×85	850	2100	85				
0787-2012	SC-500×1000×75	500	1000	75					0787-4038	SH-850×2300×85	850	2300	85				
0787-2014	SC-510×850×75	510	850	75					0787-4040	SH-900×2400×85	900	2400	85				
0787-2016	SC-510×1000×75	510	1000	75					0787-4042	SH-340×510×30	340	510	30				
0787-2018	SC-510×1200×75	510	1200	75					0787-4044	SH-340×660×30	340	660	30				
0787-2020	SC-510×1300×75	510	1300	75					0787-4046	SH-405×600×35	405	600	35				
0787-2022	SC-550×1200×75	550	1200	75					0787-4048	SH-405×780×35	405	780	35				
0787-2024	SC-600×1200×75	600	1200	75					0787-4050	SH-495×720×40	495	720	40				
0787-2026	SC-600×1500×80	600	1500	80					0787-4052	SH-495×940×40	495	940	40				