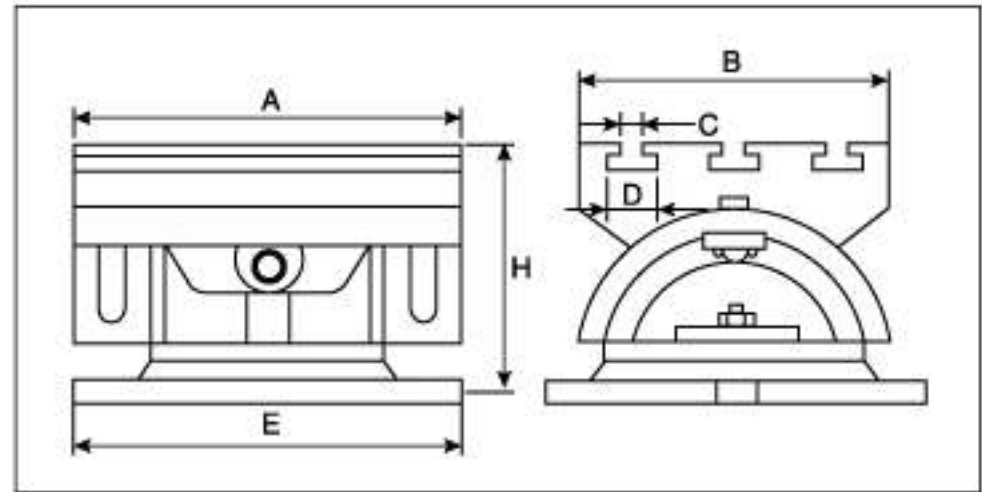


ANGLE PLATE + TABLE-VISE4011 SERIES

TILTING TABLES WITH INDEXING BASE

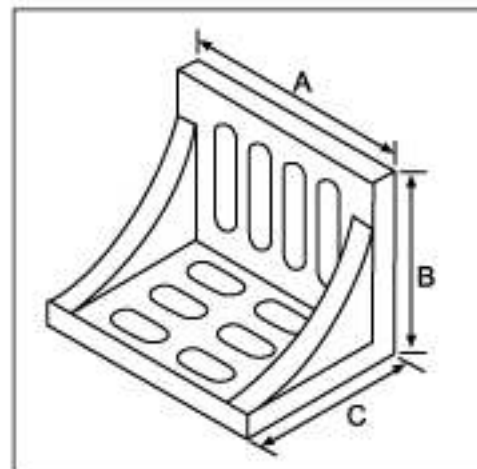
- Same feature as Tilting table but with 360 degree index swivel base.



CODE No.	Mfg. No.	A	B	C	D	E	H	Net Weight
4011-0605	UCK-180	182	132	12	22	242	138	18 kg
4011-1022	UCK-250	260	182	16	26	330	197	40 kg
4011-1410	UCK-380	385	265	16	26	426	248	85 kg

SLOTTED ANGLE PLATES

- Made of high tensile cast iron .
- Slots are made for Max. clamping versatility.
- Webbed end style accurately machined, square and parallel on outside force and ends.
- Open end style machined on all surfaces except the slots.



CODE No.	A	B	C	Net Weight
4011-0304	112 mm (4")	85 mm (3-3/5")	75 mm (3")	2 kg
4011-0605	150 mm (6")	125 mm (5")	112 mm (4")	3.5 kg
4011-0807	200 mm (8")	150 mm (6")	125 mm (5")	7 kg
4011-1008	250 mm (10")	200 mm (8")	150 mm (6")	12 kg
4011-1209	300 mm (12")	225 mm (11")	200 mm (8")	25 kg

PRECISION ANGLE BLOCKS + SQUARES

PRECISION MACHINIST SQUARE (DUAL)



- Made of tool steel: SKS3
- Hardness reaches to HRC: 60°
- Square tolerance: 0.003mm
- With one long slot

CODE No.	Size	Tolerance
4012-2202	40 x 25 x 10 mm (1-5/8" x 1" x 3/8")	0.003
4012-2203	78 x 48 x 10 mm (3" x 1-1/2" x 3/8")	0.003
4012-2204	100 x 70 x 8 mm (4" x 3" x 5/16")	0.003
4012-2206	150 x 100 x 8 mm (6" x 4" x 5/16")	0.003
4012-2208	200 x 130 x 10 mm (8" x 5" x 3/8")	0.005
4012-2210	250 x 160 x 12 mm (10" x 6" x 1/2")	0.005
4012-2212	300 x 200 x 15 mm (12" x 8" x 5/8")	0.005